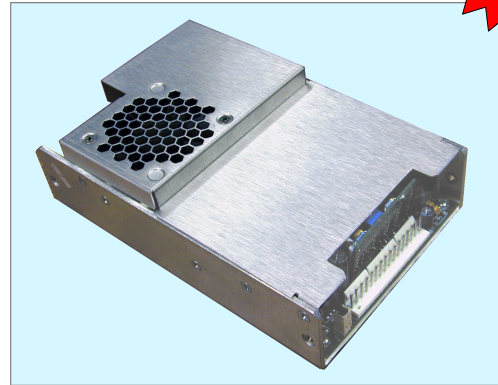




Medical 390 Watts

EAGLE SERIES Model SMM350

Max. Output Power	390 watts
Output Channels	Triple Output
Input Mains Voltage	85 to 264VAC



STANDARD FEATURES

- 4.3 watts/cu.in. power density
- Compact size 5.0"W x 7.5"L x 2.38"H
- Dual AC fusing on both lines
- Power factor corrected to IEC 1000-3-2
- Over-current, Over-voltage & Over-temperature protection
- Self contained fan cover
- Medical Approved to UL2601, IEC601-1 and CSA 22.2 No. 601.1

ENVIRONMENTAL

Operating temperature: 0°C to 50°C derate output power at 2.5% per degree from 50° to 70°C

Storage temperature: -40°C to 85°C

Thermal Protection: Shuts down power supply if overheated. Automatic Recovery

Temperature coefficient: ± 0.03% per °C

EMI compliance to CISPR 11 Class B

MTBF calculated: 175,000 hours at full load 25°C ambient conditions per MIL-HDBK-217, Notice 2

ELECTRICAL SPECIFICATIONS

Input

Input Voltage 90 to 264VAC
 Power Factor0.99 typical
 Frequency47 to 63Hz
 Inrush current37A maximum @ 240VAC
 Fusing.....Dual 5A, 250V type F
 Leakage currentLess than 135µA @132VAC
 Optional low leakage currents available. Please contact factory representative.
 EMC (Conducted).....CISPR 11 Class "B", FCC Class "B", EN55011 Class B.

Output

Maximum power.....390 watts maximum steady state, 510 watts Peak power
 Efficiency75% typical at full load
 Hold-up time.....12mS minimum @ full load nominal line (115VAC)
 Minimum load10% loading required on V1
 Overload protectionFully protected against short circuit and output overload. Automatic recovery.
 Overvoltage protection (V1 only)..10% to 25% above nominal output. Latches off. Recycling AC power will reset the latch.
 Over-temperature protectionThermal protection with auto-recovery

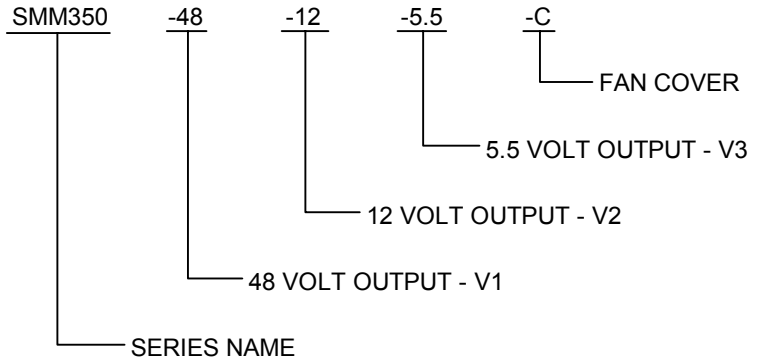
Logic & Controls

Power failureTTL active high, goes low 5 msec before loss of regulation
 External/off A logic low shuts down the power converter
 DC OKTTL active high @ 90%of output regulation.
 Remote sense (V1 only).....Compensates for 0.5 V lead

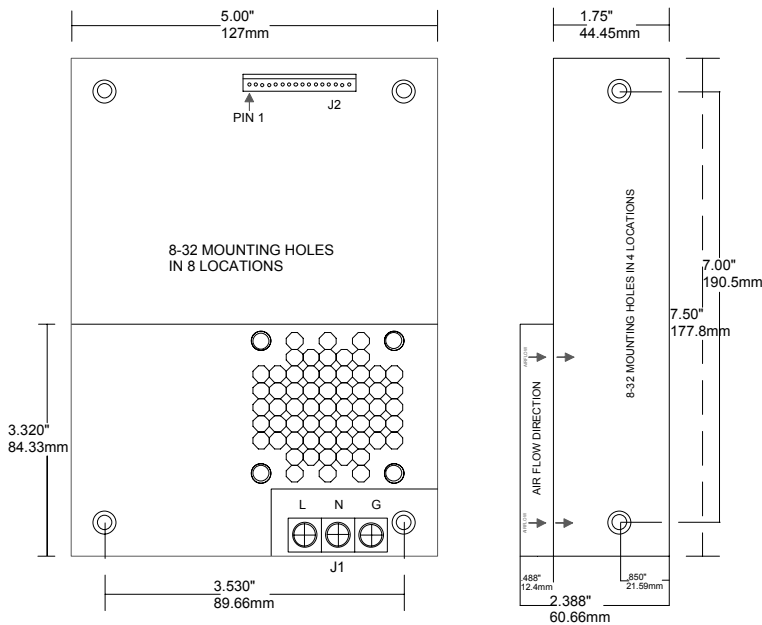
TYPICAL OUTPUT RATINGS							
Main Output V1		Aux. Output V2			Aux. Output V3		
Vout	Pout	Vout	Pout	Iout	Vout	Pout	Iout
Any V range from 24-48 in 0.1V increments	350 watts Maximum	Any V range from 5-24 in 0.1V increments	50 watts Maximum	5.0A Maximum	Any V range from 5-24 in 0.1V increments	50 watts Maximum	3.0A Maximum

Note: All information is subject to change without notice. Total combined output power not to exceed 350W max.

TYPICAL MODEL NUMBER DESCRIPTION



MECHANICAL



I/O CONNECTORS

AC POWER INPUT (J1)

TERMINAL #	REFERENCE
1	AC LINE
2	AC NEUTRAL
3	AC GROUND

NOTE: 6-32, 3 Pin Terminal Block

DC OUTPUT POWER (J2)

AMP p/n 1-640455-6

Matting connector AMP 1-640445-6

PIN	REFERENCE
1, 2, 3, 4	V3
5, 6, 7, 8	V1
9, 10, 11, 12, 13, 14	RETURN
15	V2
16	NOT USED

NOTES

- a. Weight 2.69lbs./1.22Kg.
- b. All dimensions in inches, tolerance is ± 0.02 "
- c. Specifications are at factory settings
- d. Mounting maximum insertion depth is 0.12"
- e. Warranty: 1 year

Remote sense, Power fail, DC good and inhibit functions available on select models. Contact factory for details

NOTE: All specifications are subject to change without notice